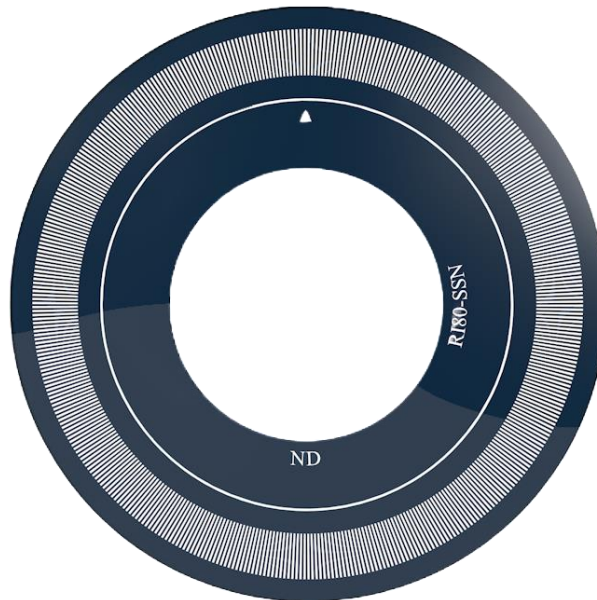


Datasheet

RI80 Series Incremental Disc

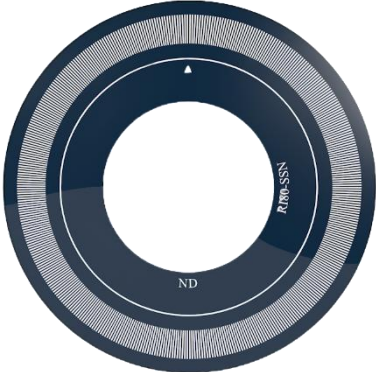


Highlights

Disc

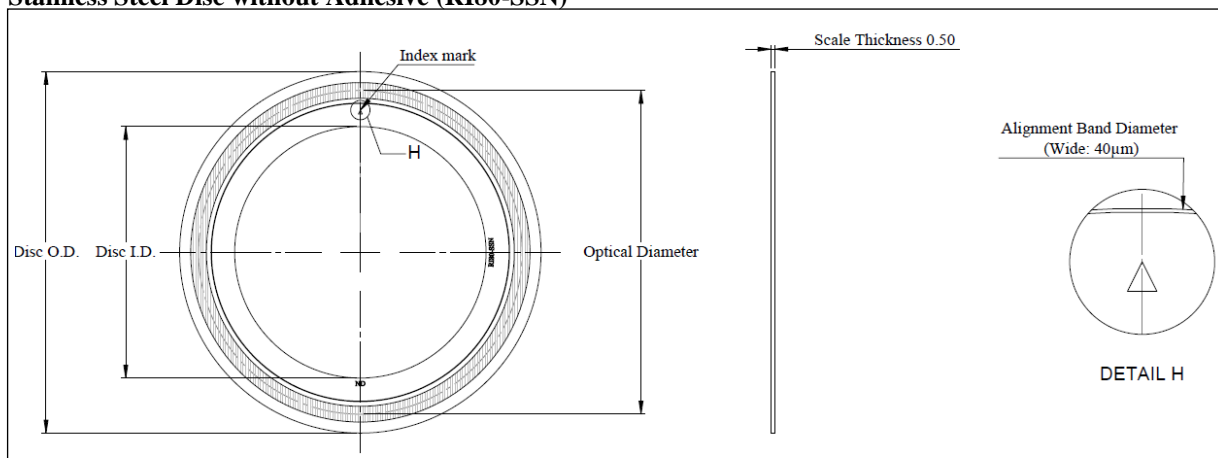
- Low thermal expansion coefficient
- Durable to corrosive substance

1. Specifications

Disc		
Image		
Series	Without Adhesive	RI80-SSN
Scanning Principle		Optical (Reflective)
Grating Type		Rotary Incremental
Grating Period		80 μm
Substrate Material		Stainless Steel
Thermal Expansion Coefficient		11 ppm/°C
Temperature	Storage	-20 °C to +70 °C @ RH < 95% (Non-condensing)
	Operating	0 °C to +70 °C @ RH < 95% (Non-condensing)
Form	Outer Diameter	Refer Section 2.1
	Inner Diameter	Refer Section 2.1
	Thickness (Scale)	0.50 mm
Line per Revolution		Refer Section 2.1

2. Disc Dimension Drawing

2.1 Stainless Steel Disc without Adhesive (RI80-SSN)



Lines per Revolution	Disc O.D (Outer Diameter)	Disc I.D (Inner Diameter)	Optical Diameter	Alignment Band Diameter
1650	46.00	32.00	41.95	38.96
2500	68.00	54.00	63.56	60.57
3600	96.00	82.00	91.53	88.53
4096	109.00	95.00	104.14	101.14
5000	132.00	118.00	127.12	124.13

Note:

1. All dimensions are in mm.
2. \triangle = Index mark

3. Model Name

3.1 Stainless Steel Disc without Adhesive (RI80-SSN)

RI80-SSN-4096	
	<p>Lines per Revolution:</p> <p>1650: 1650 lines per revolution</p> <p>2500: 2500 lines per revolution</p> <p>3600: 3600 lines per revolution</p> <p>4096: 4096 lines per revolution</p> <p>5000: 5000 lines per revolution</p>
	<p>Substrate Material:</p> <p>SSN: Stainless steel without adhesive</p>
	<p>Series:</p> <p>RI80: Incremental disc for 80 μm grating period</p>

Note:

1. For customization of the lines per revolution, please contact our sales team for more information.

4. Compatible Readhead

Scale Type	Readhead Model	Description
RI80-SSN	ABI80	Incremental 80 μm signal period with optical (reflective) scanning principle